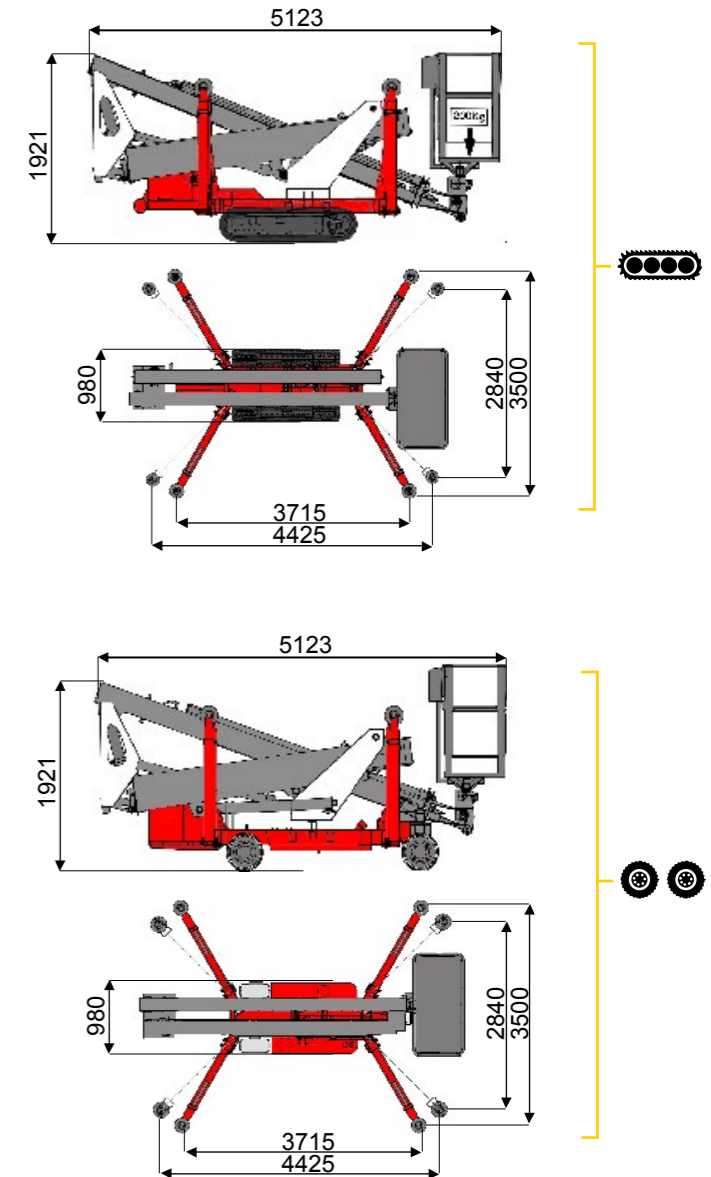
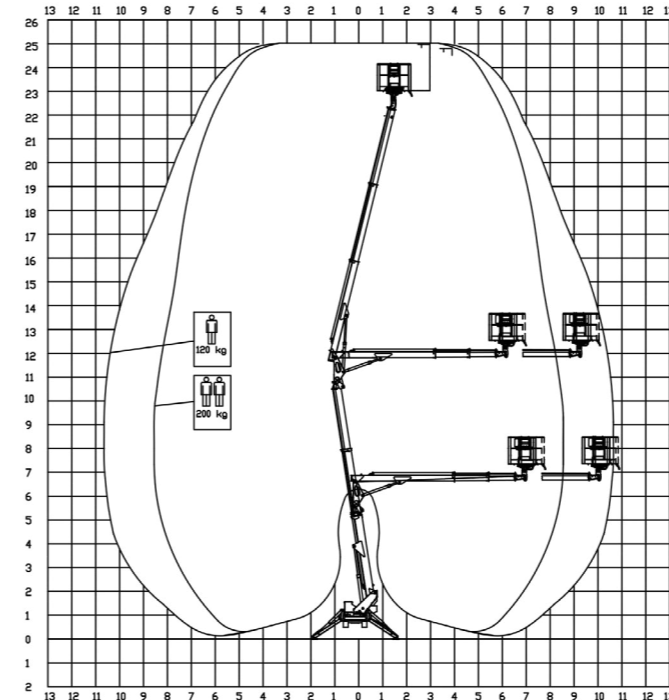




25 m ↑
10,6 m →
200 Kg 👤 👤



BI-ENERGY
Diesel+AC



Model	Icon	Height (m)	Width (m)	Load (kg)	Rotation	Platform (cm)	Reach (m)	Slope (%)	Speed (km/h)	Weight (kg)	Stability (kN)	Stability (kN/m²)	Stability (kN/m²)	
TZX 250/C	🔋	25 m	10,6 m	200 kg	360°	140x70 cm	2,84-3,5 m	19%	23%	2,4 km/h	2660 kg	19,5 kN	2,05 kN/m²	3,71 kN/m²
TZX 250/R	🔋	25 m	10,6 m	200 kg	360°	140x70 cm	2,84-3,5 m	19%	21%	1,5 km/h	2660 kg	19,5 kN	2,05 kN/m²	3,71 kN/m²

Available version:

BI-ENERGY (DIESEL+AC)
ECO (DC+AC)

Characteristics and technical data are informative only and subjected to change without notice.